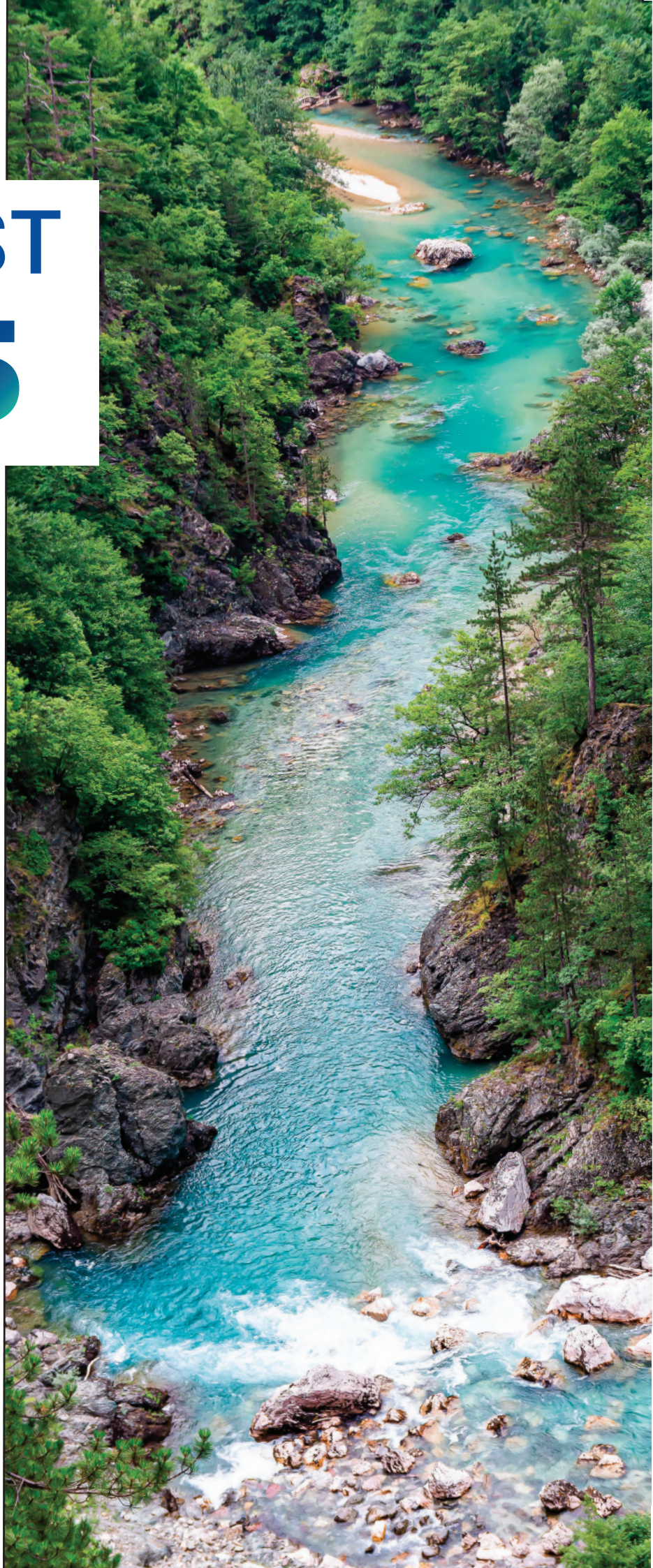


PRICE LIST 2025





About Tara

Tara is name of the mountain on Balcan, Serbia. Tara is the national park and the nature reserve of numerous wild plant and animal species. Intertwined with a network of crystal clear streams, Tara is synonymous for clean, deep-green water and untouched nature. We created water filters inspired by Tara, in order to bring you closer to the purity and touch of pure nature.



Our Mission



Needs

Tailoring of filters according to customer's specific requirements and needs. Tara filter can be used in swimming pool water filtration, in municipal drinking water treatment plants or for treatment of technical, process or wastewater. It is suitable for application in industry wherever the mechanical filtration is needed.



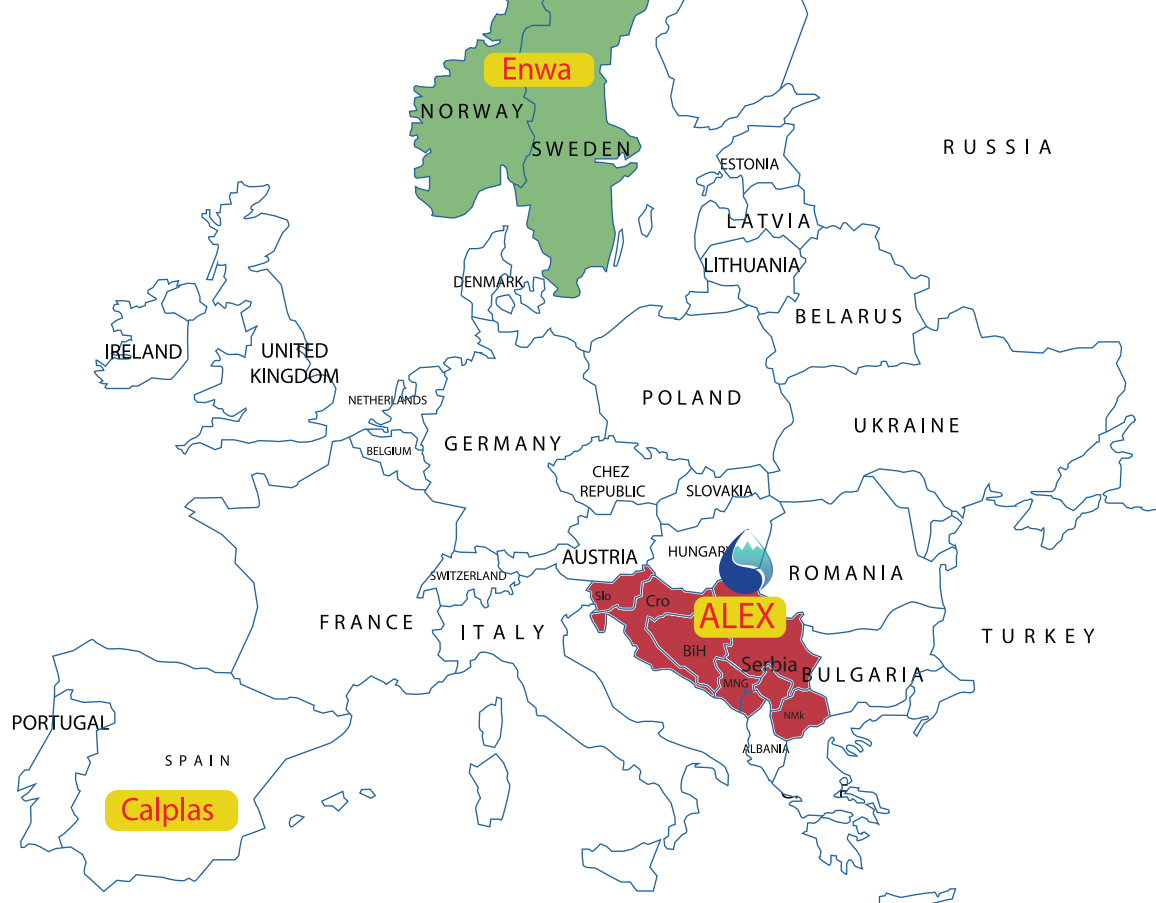
Solution

We offer our customers a complete and valuable solution for high quality pressure filters. We possess knowledge, capacity and experience to design and produce pressure filters, vessels and sedimentation tanks as well as variety of storage tanks for different purposes.



Safety

Thanks to our streamlined production process and technical know-how, we manufacture media filters that are competitive in the European markets, reliable and safe.



Contact



Boban Jovanović

Managing Director

+381 64 846 0622
boban.jovanovic@taragr.rs



Nikola Drulović

Sales Director

+381 64 846 0621
nikola.drulovic@taragr.rs

Tara GRP DOO

Head Office

Narodnih heroja 42
11070 Novi Beograd, Serbia

Production plant

Jarački put bb, Industrijska zona Jezero
22000 Sremska Mitrovica, Serbia



DIN SERIES

TN SERIES

TL SERIES

TH SERIES

TCL/TCN SER

TFL SERIES

STRAINERS

DIN SERIES

BED HEIGHT 1200 mm	Diameter (mm)	H (mm)	H3 (mm)	H4 (mm)	H5 (mm)	M1 (mm)	Tc (mm)	M2 (mm)	SG1 (mm)	R01 (mm)	I/O (mm)	No. of nozzles (pcs.)	Filter surf. (m ²)	Q filt 30m/h (m ³ /h)	Q bw 50m/h (m ³ /h)	Gross price € without VAT
	800	2370	225	1600	225	400	1750	200	200	100	DN80	37	0,50	15	25	7,555 €
	1000	2470	275	1600	250	400	1800	200	200	200	DN100	61	0,80	24	40	8,620 €
	1200	2630	300	1550	250	400	1800	300	200	200	DN125	91	1,13	34	57	11,375 €
	1400	2720	300	1550	250	400	1800	400	200	200	DN125	121	1,54	46	77	13,520 €
	1600	2800	325	1500	300	400	1800	400	200	200	DN150	163	2,01	60	101	16,565 €
	1800	2920	350	1550	300	500	1800	500	200	200	DN200	199	2,54	76	127	20,315 €
	2000	3000	350	1550	300	500	1800	500	200	200	DN200	253	3,14	94	157	25,600 €
	2200	3120	400	1500	350	500	1800	500	200	200	DN200	301	3,80	114	190	29,855 €
	2400	3200	450	1500	400	500	1800	500	200	200	DN250	349	4,52	136	226	33,665 €
2600	3300	500	1475	400	500	1800	500	200	200	DN250	423	5,31	159	266	37,400 €	

- Filters are designed according to DIN 19605/19643/18820 standards and constructed according to AD-Merkblatt N1 and BS.
- Filters are equipped with nozzle plate and high quality nozzles.
- Flanges, internal components, piping and support legs are made from GRP.
- Maximum working temperature: 40°C.
- Maximum working pressure: 2,5 bar.
- Test pressure: 3, 75 bar.
- Sight glass 200 mm.
- 5 years warranty.

Additional options:

- Cylindrical height increasing: +3% per 100 mm.
Bed height 1500 mm: +9%.
- Vinylester lining for ozone (concentration max. 1 ppm): +10%.
- Other flanges dimension on request.
- Working pressure filters 4 bar: price +25% (factor 1,25).
- Working pressure filters 6 bar: price +40% (factor 1,40).



Technical details

- DIN 19605/19643/18820
- Diametar from 800 mm to 2600 mm
- Bed height 1200 mm (standard) and 1500 mm (optional)
- Sight glass height from nozzle plate: 1400 mm (filter media bed height 1200 mm)



Lifting lug made of stainless steel embedded in GRP



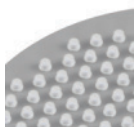
All openings, flanges and accessories can be positioned and oriented according to the clients specific needs if technically possible



GRP funnel with reinforcement beam



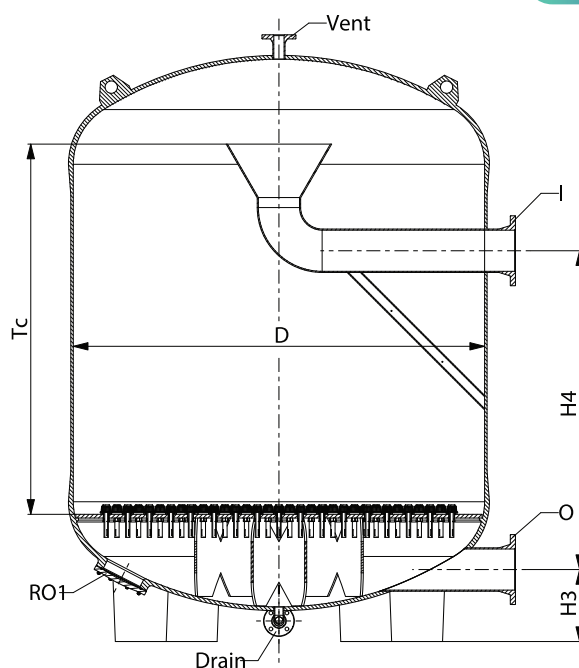
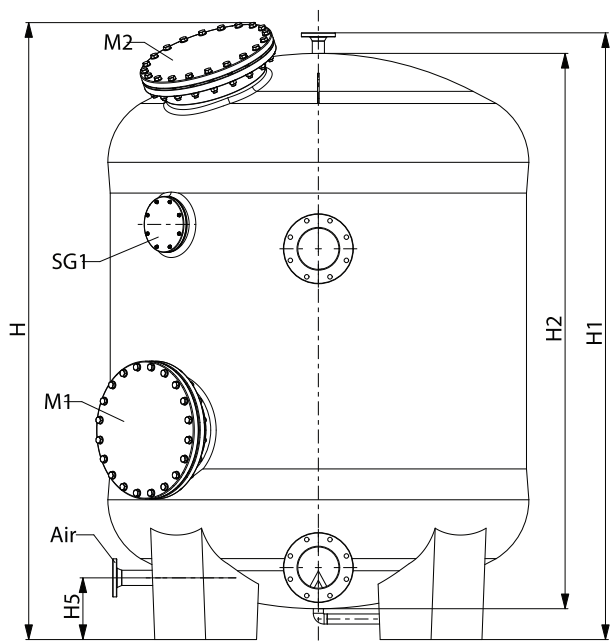
Acrylic sight glass SG1 in DN200 size



GRP nozzle plate with high quality nozzles



Filter laminate construction according to DIN 18820. Chemical protective barrier made of combination of adequate resin, C-glass veil and glass fibres. Mechanical reinforcement made of combination of spray-up roving, woven roving and radial and helical filament winding. External protective coating in RAL 5015. Other colours upon request with 5% surcharge.



TN SERIES

BED HEIGHT 1200 mm

Diameter (mm)	H (mm)	H1 (mm)	T _C (mm)	M1 (mm)	M2 (mm)	SG1 (mm)	Drain (mm)	I/O (mm)	No. of nozzles (pcs.)	Filter surf. (m ²)	Q _{filt} 30m/h (m ³ /h)	Q _{bw} 50m/h (m ³ /h)	Gross price € without VAT
1000	2350	2150	1680	400	200	200	DN40	DN80	60	0,80	24	40	7 840 €
1200	2420	2220	1700	400	300	200	DN40	DN100	78	1,13	34	57	10 340 €
1400	2460	2260	1700	400	400	200	DN40	DN100	114	1,54	46	77	12 295 €
1600	2560	2360	1710	400	400	200	DN40	DN125	156	2,01	60	101	15 060 €
1800	2660	2460	1750	400	400	200	DN40	DN125	192	2,54	76	127	18 470 €
2000	2760	2560	1800	400	400	200	DN40	DN150	234	3,14	94	157	23 275 €
2200	2860	2660	1850	400	400	200	DN40	DN200	288	3,80	114	190	27 140 €
2400	2960	2760	1875	400	400	200	DN40	DN200	334	4,52	136	226	30 605 €
2600	3060	2860	1900	400	400	200	DN40	DN200	404	5,31	159	266	34 000 €

- Filters are manufactured and calculated according to EN 13121-3.
- Filters are equipped with nozzle plate and high quality nozzles.
- Flanges, interior components, piping and support legs are made from GRP.
- Maximum working temperature: 40°C.
- Maximum working pressure: 2,5 bar.
- Test pressure: 3, 75 bar.
- Sight glass 200 mm.
- 5 years warranty.

Additional options:

- Cylindrical height increasing: +3% per 100 mm.
Bed height 1500 mm: +9%.
- Vinylester lining for ozone (concentration max. 1 ppm): +10%.
- Working pressure filters 4 bar: price +25% (factor 1,25).
- Working pressure filters 6 bar: price +40% (factor 1,40).



Technical details

- EN 13121-3
- Diameter from 1000 mm to 2600 mm
- Bed height 1200 mm (standard) and 1500 mm (optional)
- Sight glass height from nozzle plate: 1400 mm -1450 mm (filter media bed height 1200 mm)
- All openings, flanges and accessories can be positioned and oriented according to the clients specific needs if technically possible



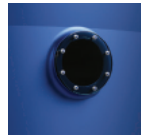
Lifting lug made of stainless steel embedded in GRP



All flanges and manholes in GRP



4 support legs



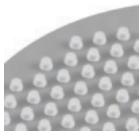
Acrylic sight glass SG1 in DN200 size



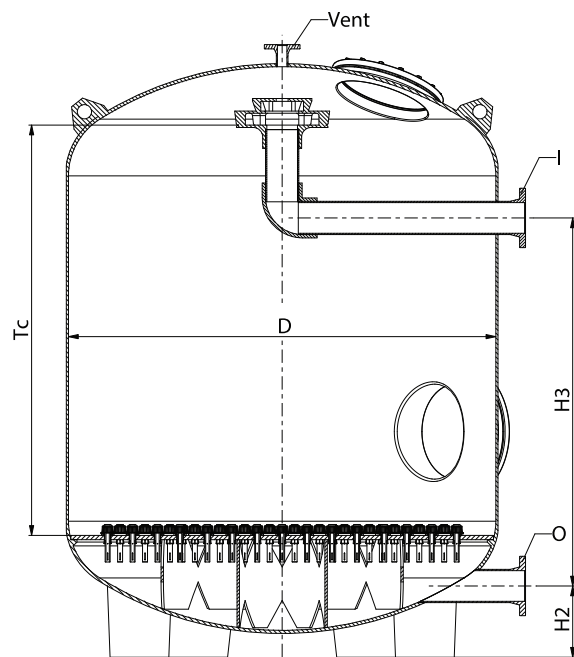
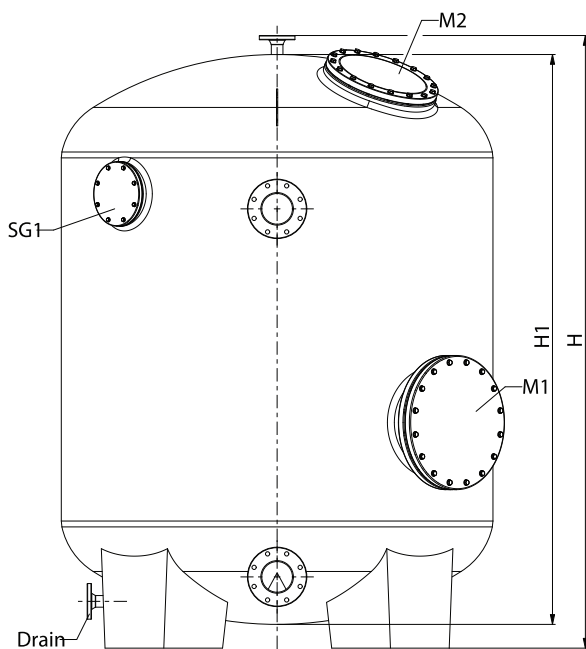
Special top diffuser for flat filter bed



Filter laminate construction according to DIN 18820. Chemical protective barrier made of combination of adequate resin, C-glass veil and glass fibres. Mechanical reinforcement made of combination of spray-up roving, woven roving and radial and helical filament winding. External protective coating in RAL 5015. Other colours upon request with 5% surcharge.



GRP Nozzle plate with high quality nozzles



TL SERIES

BED HEIGHT 1200 mm

Diameter (mm)	H (mm)	H1 (mm)	Tc (mm)	Td (mm)	M1 (mm)	M2 (mm)	SG1 (mm)	R01 (mm)	I/O (mm)	Filter surf. (m ²)	Q filt 30m/h (m ³ /h)	Q bw 50m/h (m ³ /h)	Gross price € without VAT
1000	2260	2060	1625	200	400	200	200	200	DN80	0,80	24	40	6 995 €
1200	2360	2160	1675	220	400	300	200	200	DN100	1,13	34	57	8 680 €
1400	2460	2260	1750	240	400	400	200	200	DN100	1,54	46	77	10 485 €
1600	2560	2360	1820	270	400	400	200	200	DN125	2,01	60	101	12 915 €
1800	2660	2460	1860	290	400	400	200	200	DN125	2,54	76	127	15 700 €
2000	2760	2560	1920	300	400	400	200	200	DN150	3,14	94	157	19 370 €
2200	2860	2660	1990	350	400	400	200	200	DN200	3,80	114	190	22 270 €
2400	2960	2760	2050	350	400	400	200	200	DN200	4,52	136	226	25 305 €

- Filters are manufactured and calculated according to EN 13121-3.
- Filters are equipped with lateral nozzle system.
- Inlet/Outlet flanges are made from GRP. Internal components and piping are made from PVC.
- Maximum working temperature: 40°C.
- Maximum working pressure: 2,5 bar.
- Test pressure: 3, 75 bar.
- Sight glass 200 mm.
- 5 years warranty.

Additional options:

- Cylindrical height increasing: +3% per 100 mm. Bed height 1500 mm: +9%
- Vinylester lining for ozone (concentration max. 1 ppm): +10%
- Working pressure filters 4 bar: price +25% (factor 1,25).
- Working pressure filters 6 bar: price +40% (factor 1,40).

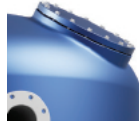


Technical details

- EN 13121-3
- Diametar from 1000 mm to 2400 mm
- Bed height 1200 mm (standard), 1000 mm and 1500 mm (optional)
- Sight glass height from laterals: 1400 mm -1450 mm (filter media bed height 1200 mm)
- All openings, flanges and accessories can be positioned and oriented according to the clients specific needs if technically possible



Lifting lug made of stainless steel embedded in GRP



All openings, flanges and accessories can be positioned and oriented according to the clients specific needs



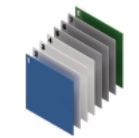
Special top diffuser for flat filter bed



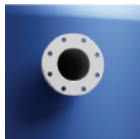
Acrylic sight glass SG1 in DN200 size



Lateral distribution system



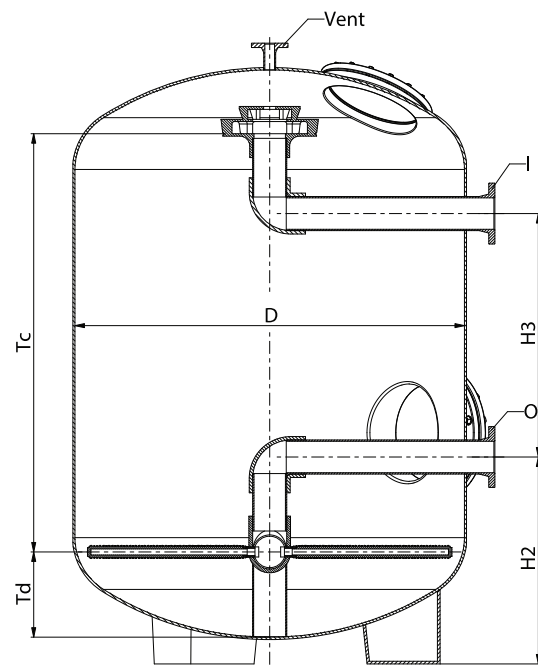
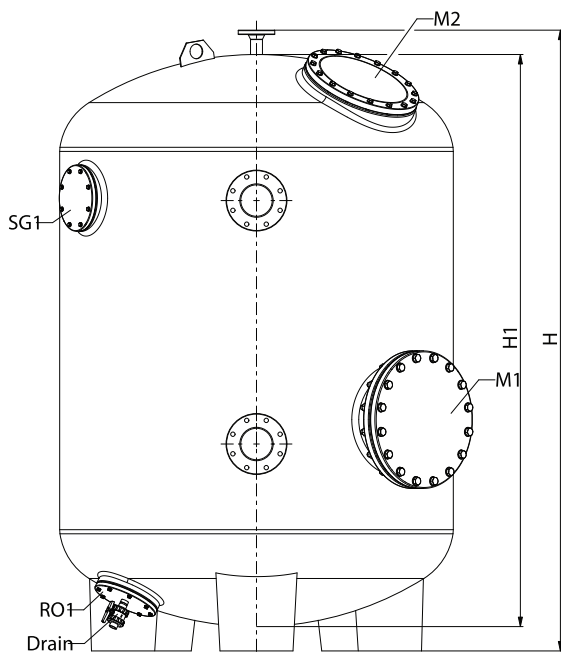
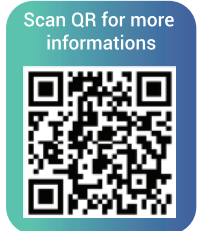
Filter laminate construction according to DIN 18820. Chemical protective barrier made of combination of adequate resin, C-glass veil and glass fibres. Mechanical reinforcement made of combination of spray-up roving, woven roving and radial and helical filament winding. External protective coating in RAL 5015. Other colours upon request with 5% surcharge.



Inle/Outlet flanges are made from GRP



Revision opening with drainage valve standard for TL model



TH SERIES

Diameter (mm)	L (mm)	L1 (mm)	Lc (mm)	H (mm)	Tc (mm)	Td (mm)	M1 (mm)	SG1 (mm)	RO1 (mm)	Supports	BH (mm)	SB (m ²)	SH (m ²)	SL (m ²)	Gross price € without VAT
2000	5000	4800	3850	2250	1445	350	500	200	200	2	1050	8,14	9,02	6,56	31 394 €
	5800	5600	4650	2250	1445	350	500	200	200	2	1050	9,78	10,82	7,92	34 558 €
2200	5000	4800	3750	2450	1600	400	500	200	200	2	1100	9,08	9,89	7,28	35 248 €
	5800	5600	4550	2450	1600	400	500	200	200	2	1100	10,93	11,87	8,81	38 405 €

- Filters are manufactured and calculated according to EN 13121-3.
- Filters are equipped with special lateral system which allow backwash speed with 30-50 m/h.

For example: filtration surface 10 m ²	30 m/h → BW pump 300 m ³ /h
	40 m/h → BW pump 400 m ³ /h
	50 m/h → BW pump 500 m ³ /h

- Inlet/outlet flanges are made from GRP.
- Internal components and piping are made from PVC.
- Maximum working temperature: 40°C.
- Maximum working pressure: 2,5 bar.
- Test pressure: 3,75 bar.
- Sight glass 200 mm.
- 5 years warranty.

Additional options:

- Vinylester lining for ozone (concentration max. 1 ppm): +10%
- Working pressure filters 4 bar: price +25% (factor 1,25).
- Working pressure filters 6 bar: price +40% (factor 1,40).

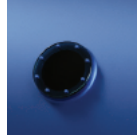


Technical details

- EN13121-3
- Diametar from 2000 mm to 2200 mm



Lifting lug made of stainless steel embedded in GRP



Acrylic sight glass SG1 in DN200 size.



Lateral distribution system



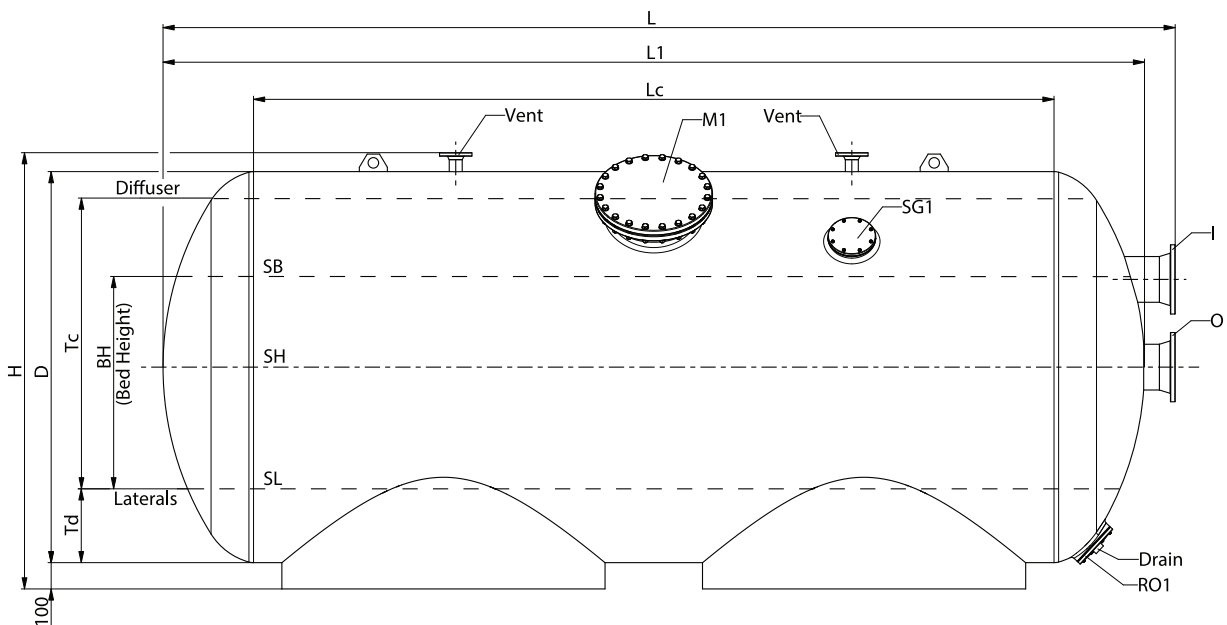
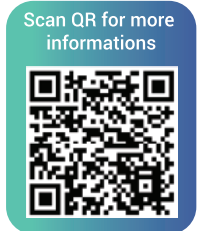
Revision opening with drainage valve standard for H model.



Inlet/Outlet flanges are made from GRP



Filter laminate construction according to DIN 18820. Chemical protective barrier made of combination of adequate resin, C-glass veil and glass fibres. Mechanical reinforcement made of combination of spray-up roving, woven roving and radial and helical filament winding. External protective coating in RAL 5015. Other colours upon request with 5% surcharge



TCL / TCN SERIES

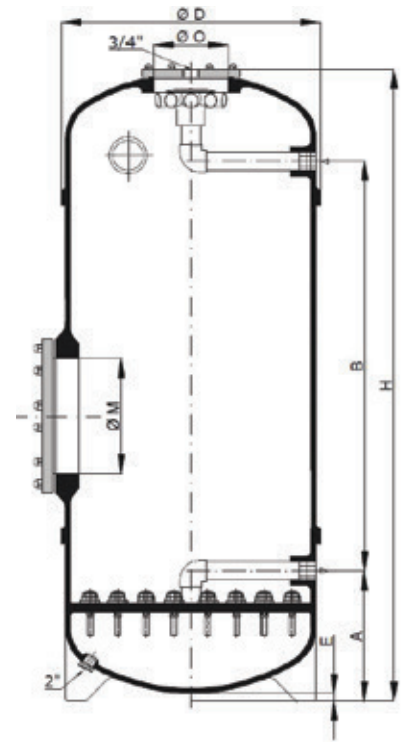
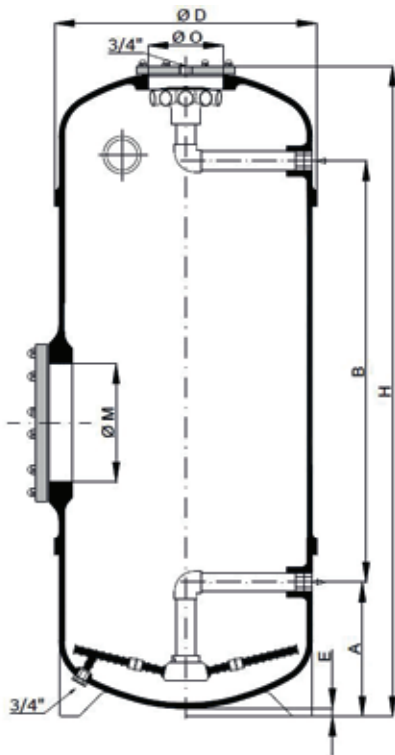
TCL SERIES	ID	Ø D (mm)	H (mm)	O (mm)	M (mm)	A (mm)	B (mm)	E (mm)	I/O (mm)	Filt. Surface (m ²)	Price without VAT
	TCL-640	640	1886	190	355	338	1279	15	2"	0,30 m ²	4 224 €
TCL-840	840	2070	190	355	430	1300	110	2 1/2"	0,52 m ²	5 005 €	

TCN SERIE	ID	Ø D (mm)	H (mm)	O (mm)	M (mm)	A (mm)	B (mm)	E (mm)	I/O (mm)	Filt. Surface (m ²)	Price without VAT
	TCN - 640	640	1886	190	355	338	1279	15	2"	0,30 m ²	4 967 €
TCN - 840	840	2070	190	355	430	1300	110	2 1/2"	0,52 m ²	6 402 €	

TCL / TCN SERIES 1200 BED HEIGHT

- Manufactured and calculated according to EN 13121-3.
- Design pressure 2,5 Kg/cm² | Test pressure 3,75 Kg/cm² .
- Lateral access manhole.
- Sight glass.
- Special diffuser for Sand / AFM-
- Design temperature 40°C.

Scan QR for more informations



Integrated GRP threads Ø640/Ø840



Transparent top lid



Arms collector Ø640/Ø840



Steel ARMORED Nozzle plate



Sightglass



Diffuser for Sand / AFM Ø640/Ø840



Plasticized Manhole lid



Methacrylate Manhole lid



Emptying plug

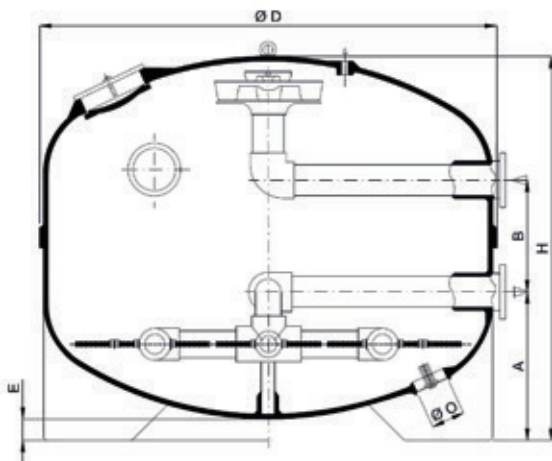
TFL SERIES Ø 1010-2800

TFL SERIES	ID	Ø D (mm)	H (mm)	O (mm)	A (mm)	B (mm)	E (mm)	I/O (mm)	Filt. Surface (m ²)	Price without VAT
	TFL-1010	1010	1200	165	500	300	100	DN80	0,78 m ²	5 825 €
	TFL-1160	1160	1300	165	550	300 *	100	DN80	1,01 m ²	6 441 €
	TFL-1260	1260	1350	165	550	400 *	100	DN100	1,21 m ²	7 315 €
	TFL-1440	1440	1470	165	625	400 *	100	DN100	1,55 m ²	8 476 €
	TFL-1640	1640	1670	165	720	450 *	100	DN125	2,04 m ²	11 132 €
	TFL-1840	1840	1760	165	740	450 *	100	DN125	2,52 m ²	13 673 €
	TFL-2040	2040	1870	165	725	450 *	100	DN150	3,17 m ²	16 654 €
	TFL-2210	2210	1990	165	760	605	100	DN200	3,77 m ²	18 678 €
	TFL-2340	2340	2000	165	765	600	100	DN200	4,06 m ²	20 752 €
TFL-2550	2550	2070	165	760	700	100	DN200	4,91 m ²	23 909 €	
TFL-2800	2800	2200	190	850	650	100	DN250	5,97 m ²	27 187 €	

TFL SERIES

- Manufactured and calculated according to EN 13121-3 .
- Design pressure 2,5 Kg/cm² | Test pressure 3,75 Kg/cm² .
- Sight glass included .
- Special top diffuser for flat filter bed
- GRP Flanged connections .
- Elliptical top manhole .
- Lifting lug .
- GRP reinforced internal piping .
- Bottom emptying hole .
- Design temperature 40°C .

Scan QR for more informations



Integrated GRP Flanges



GRP Elliptical manhole lid



Arms collector



Diffuser for Sand / AFM



Arms 0.3 mm



Sightglass



Emptying access



Sightglass standard position 7!



Besgo ready! * Ø1010-2040

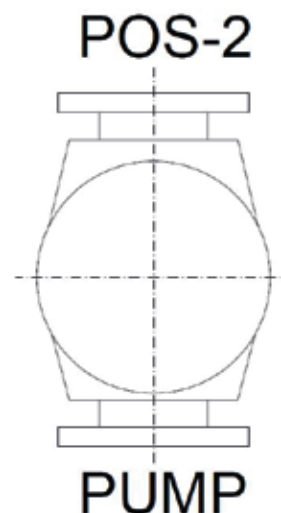
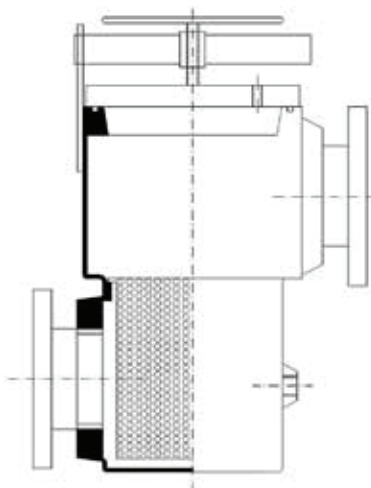
PUMP STRAINERS

PUMP STRAINERS POSITION 2

ID	Connections	Basket	Max p ress.	Price
TP8/110	DN100	8 litres	1 bar	2 530 €
TP15/110	DN100	15 litres	1 bar	3 025 €
TP25/160	DN150	25 litres	1 bar	3 289 €
TP25/225	DN200	25 litres	1 bar	3 399 €
TP60/300	DN300	60 litres	1 bar	4 675 €

CHARACTERISTICS

1 bar Max. pressure.
Quick opening device.
316 Stainless steel Ø4 mm hole
Extremely robust.
Designed for suction side.

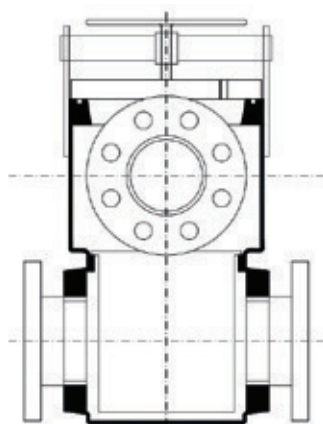


PUMP STRAINERS COLLECTORS

Scan QR for more informations



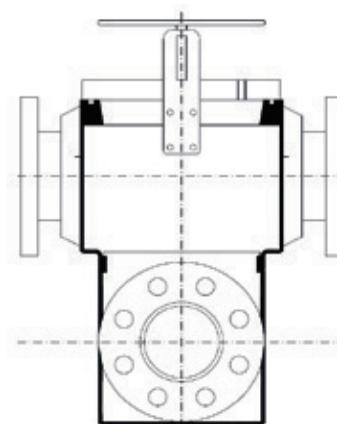
ID	Aspiration	Pump	Basket	Max press.	Price
TP25/2x160-225	2xDN150	DN200	25 litres	1 bar	3 746 €
TP25/225-2x160	DN200	2xDN150	25 litres	1 bar	3 746 €
TP60/2x225-300	2 x DN200	DN300	60 litres	1 bar	5 049 €
TP60/300-2x225	DN300	2xDN200	60 litres	1 bar	5 049 €



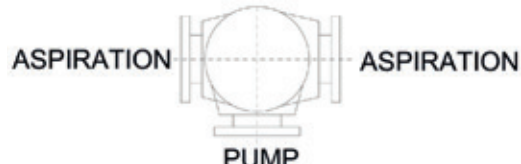
1 INLET - 2 OUTLET



Example: 1 aspiration / 2 pump



2 INLET - 1 OUTLET



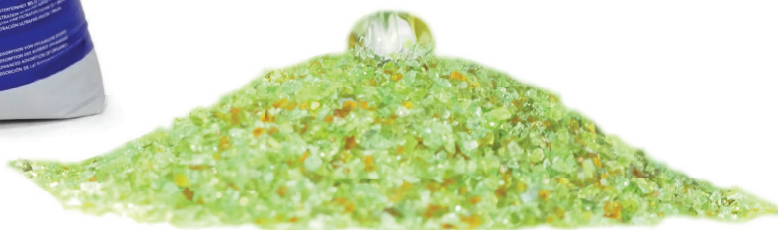
AFM[®]

ACTIVATED FILTER MEDIA

Description	Package quantity	Pallet Quantity	Gross price € without VAT	
AFM [®] Grade 0	0,25 - 0,5 mm	Bags of 25 kg	40 on CP-1	50,00 €
AFM [®] ng Grade 1	0,4 - 0,8 mm	Bags of 25 kg	40 on CP-1	50,00 €
AFM [®] ng Grade 2	0,7 - 2,0 mm	Bags of 25 kg	40 on CP-1	50,00 €
AFM [®] ng DIN Grade	0,7 - 1,2 mm	Bags of 25 kg	40 on CP-1	50,00 €
AFM [®] Grade 3	2,0 - 4,0 mm	Bags of 25 kg	40 on CP-1	50,00 €

AFM[®] ng is a unique self-sterilising and fully bio-resistant filter media that was developed to prevent the formation of harmful volatile disinfection by-products such as Trichloramines and THMs.

AFM[®] ng filters particles down to 1 micron, provides substantial backwash water savings and outlasts all other filter media.



Scan QR for more informations



